



User's manual

20V BRUSHLESS CORDLESS ANGLE GRINDER



SBS002



Operating Instructions

Please read the operation instructions meticulously and pay particular attention to the safety instructions.

CONTENT

General recommendations	1
Specifications	2
Use and features	3
Maintenance	8
Warranty	9

Care for the environment!

It must not be disposed of with household waste! This product contains electrical or electronic components that must be recycled. Take the product for recycling at the sites assigned to your area, Ejm: the local recycling station.

General recommendations

The angle grinder is designed for cutting* and trimming, using the suitable disks, steel and building materials (stone, brick, breeze-blocks, reinforced concrete, etc.). It can also be fitted with accessories and used for sanding and brushing.

- There is a whole range of sizes for grinders, generally 115 mm to 230 mm in diameter. The 115 mm - 125 mm models are generally used for carrying out small jobs, because they are light and easy to use. The 230 mm models are used for much heavier tasks.
- The cutting* capacity of the grinders depends, to a great extent, on the type of disk used. There are disks for cutting metal, sheet metal, masonry (stone, breeze-block, etc.)
- The speed control, if your machine is fitted with one, makes trimming and sanding work easier.
- The soft start function, if your machine is fitted with it, makes it easier to start on the piece to be ground more efficiently and with greater precision.
- The trimming function can be used to remove burr that is left behind after cutting, for example. You must use a disk that is appropriate to the material, and work at an angle of around 25°, and move the tool back and forth constantly and smoothly. The cutting* function consist to work at an angle of 90° with an appropriate disk to the material.

*= Only with suitable not provided carter

Specifications

Voltage	20V
Motor	Brushless Tech motor
Speed	8.000RPM
Disk size	115mm
Battery	4.000mAh Li - ion
Charge time	1 a 2.5 Horas*

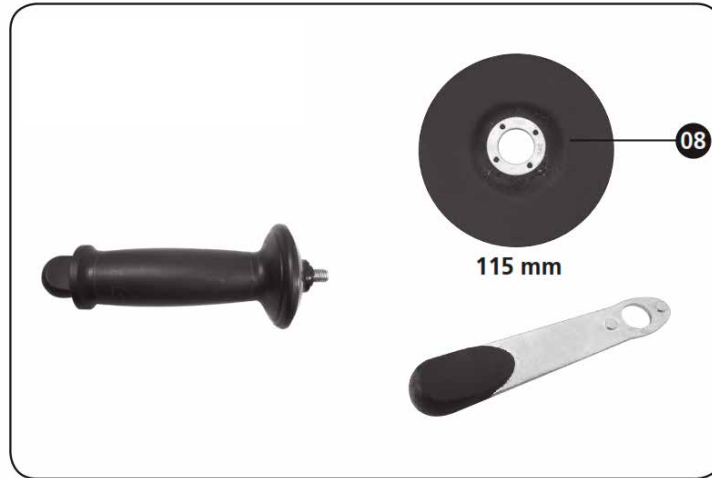
*The charging time of the tool depends on the battery if it is 2.0Ah its charging time is 1 hour, if the battery is 4.0Ah and the time of Charge is 2.5 hours

Figure A.



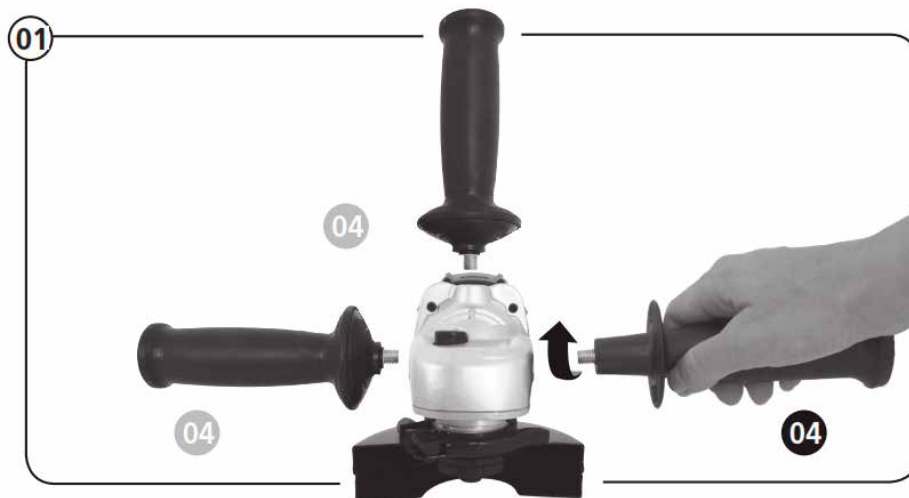
1. On / Off Switch
2. Lock button
3. Adjustable protection guard.
4. Adjustable handle
5. Clamping screw

Figure B.



Box content

Figure C.

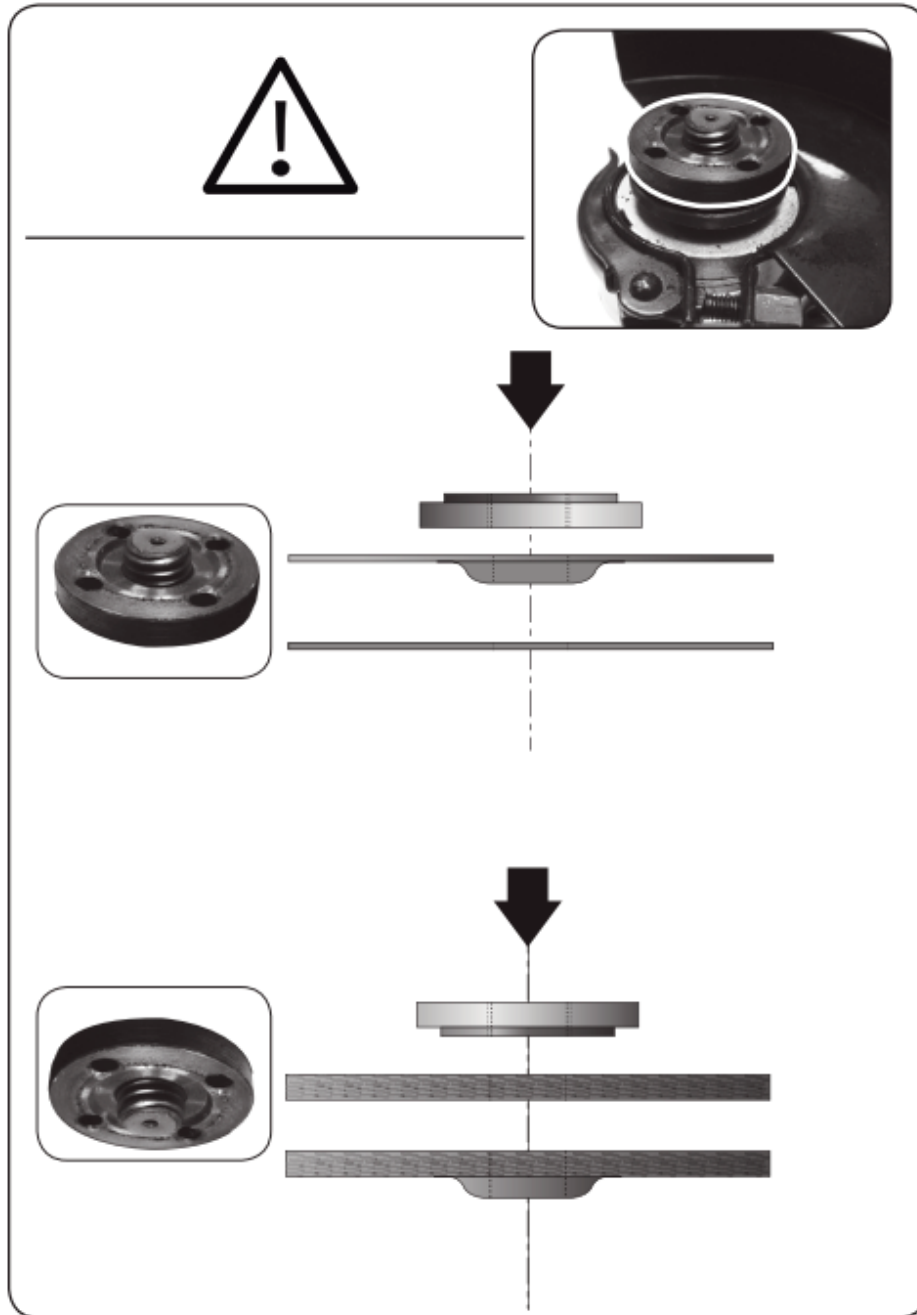


1. Handle installation and positions.



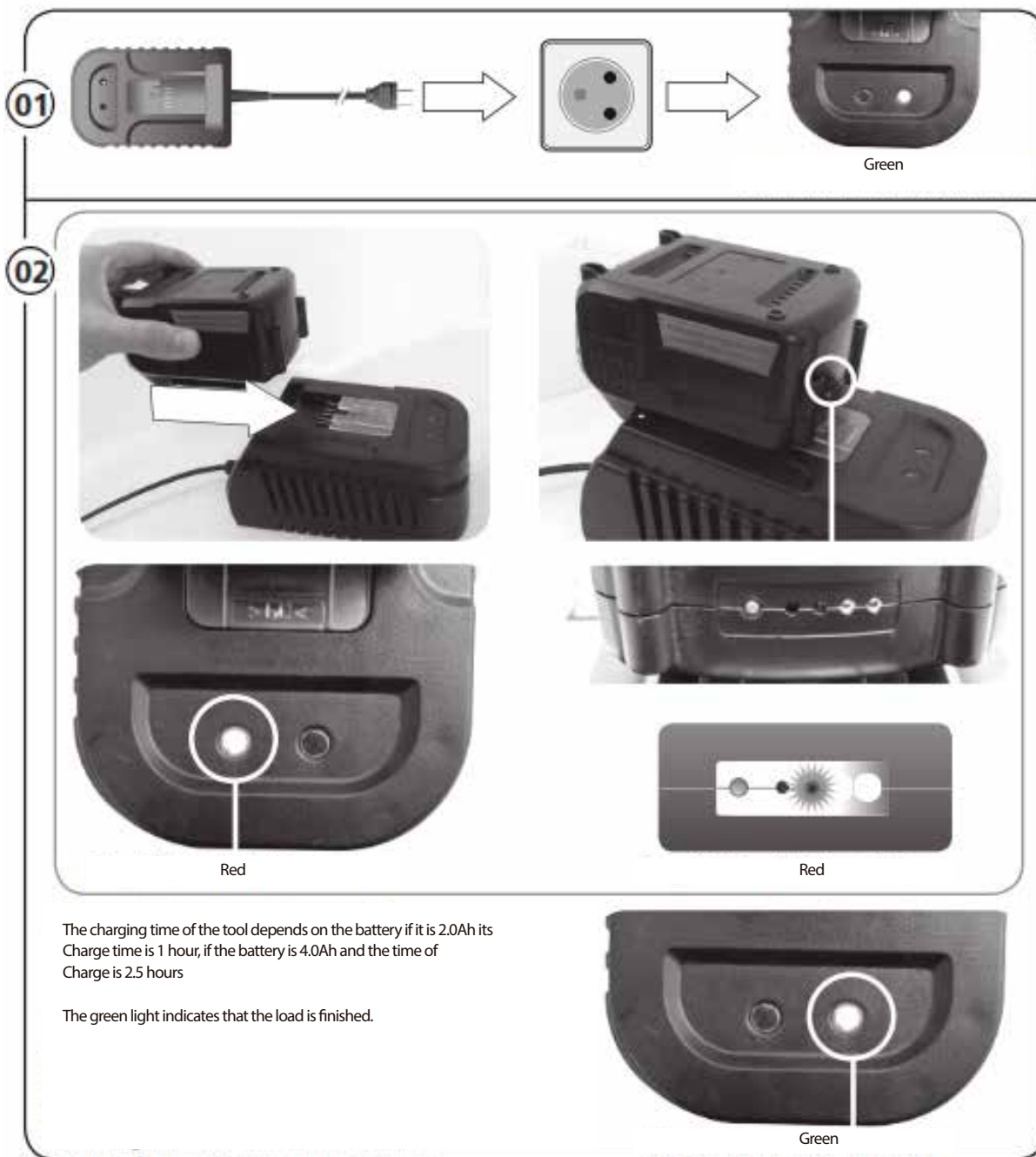
2. Disk assembly

Figure D.



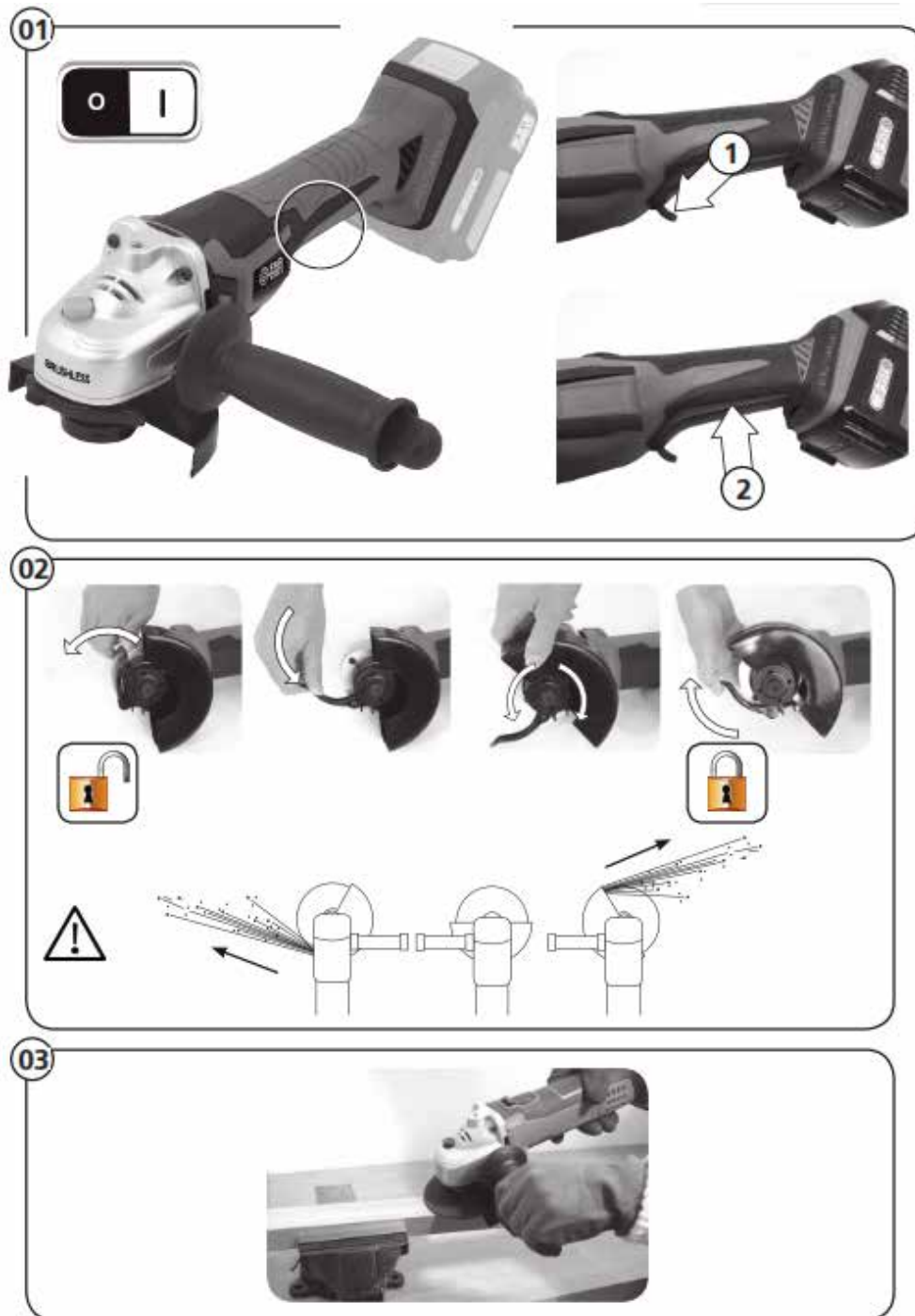
3. Disk lock.

Figure D.



1. Connecting the charger.
2. Placement of the battery in the charger, and LED charging indicators.

Figure E.



1. Start-up and stop.
2. Orientation of the security guard.
3. Grip mode at the time of operation.

Wear protective eyewear.

Wear a dust mask.

Wear hearing protective equipment.

Use rubber gloves.

Acoustic pressure level.

Acoustic power level.

Maintenance

general

The power tool is built to have an extended service life and minimal maintenance.

However, regular care and cleaning are required to give extended functionality. Clean the power tool with a damp cloth, a soft brush or a dry cloth.

Keep the ventilation openings clean and free! Check regularly that the ventilation grilles are clean and not clogged by dirt or foreign objects. If necessary, blow them with clean compressed air (max 3 bar).

Do not use detergents that contain solvents or abrasives. Use a mild, clean detergent to remove dust, dirt and carbon particles from the motor's electric brushes.

Warning:

Brake fluid, gasoline, mineral oil and petroleum products should not come in contact with the plastic parts of the power tool. This type of product can damage or deform the plastic.

WARNING: Always wear safety glasses that close against the face and also protect the sides when using compressed air to clean the power tool. When doing a very dusty job, you should also use a dust mask.

Storage

When not in use, store power tools in a dry and dust-free place.

SIEFKEN

INDUSTRIELL



3 YEAR WARRANTY

Each tool SIEFKEN INDUSTRIELL has warranty to the original buyer from being free of defects in materials and labor.

Its subjected to certain exceptions, SIEFKEN will fix or replace any part of any power tool, after examined, and if its determined by siefkenn like material defective or labor by a period of (3) years*, after the date of the purchase, at least theres any other thing pointed out. The power tool must be returned to the SIEFKEN service center location or the service center authorized by SIEFKEN, the shipment must be paid and secure. Must include a copy of the proof of purchase with the returned product. This warranty does not apply to damages that SIEFKEN determines that are as a result of maintenance done by someone who does not belonged to siefken service center or associates, also by incorrect use, alterations, abuse, natural usage nor accidents.

FREE SERVICE

Siefken includes in its tools 5 free preventive maintenance by year during the warranty time of the tool.

Also, any corrective service will have a 1 year warranty. (Does not apply for service done by any person that does not belong to the siefken staff, also like damaged made by incorrect use, alterations, abuse, natural usage nor accidents)

TOTAL SATISFACTION

If the siefken tool do not satisfies the need in work, during the 30 days after your purchase you will be able to change your power tool with on of the same reference but with more capacity just by paying the difference.

To make this warranty valid you should present the warranty policy sealed or the original invoice and return the entire product, without any damages, with its accessories and original packaging to the distribution network or service centers.

SIEFKEN[®]
INDUSTRIELL